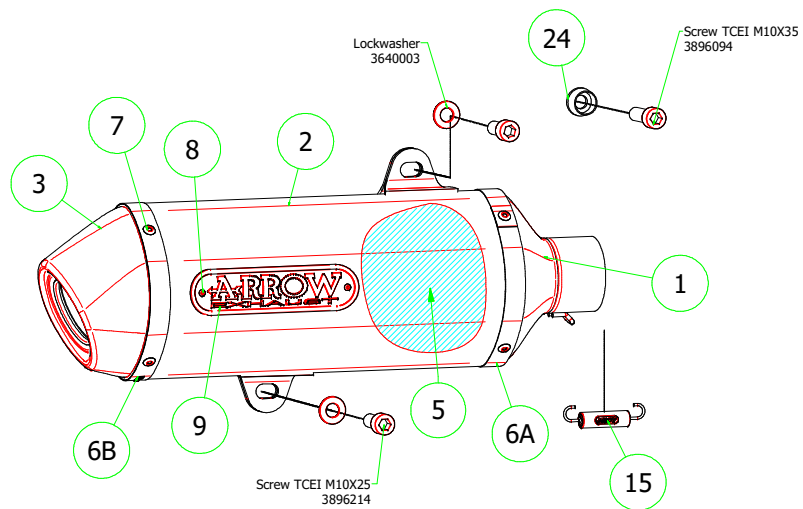


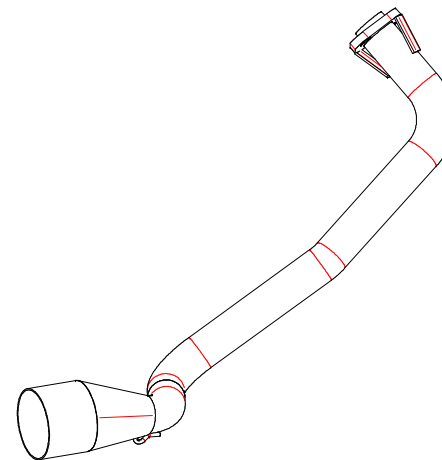
# Yamaha N-MAX 155 '17-18 / N-MAX 125 '17-18 / Tricity 125 '18



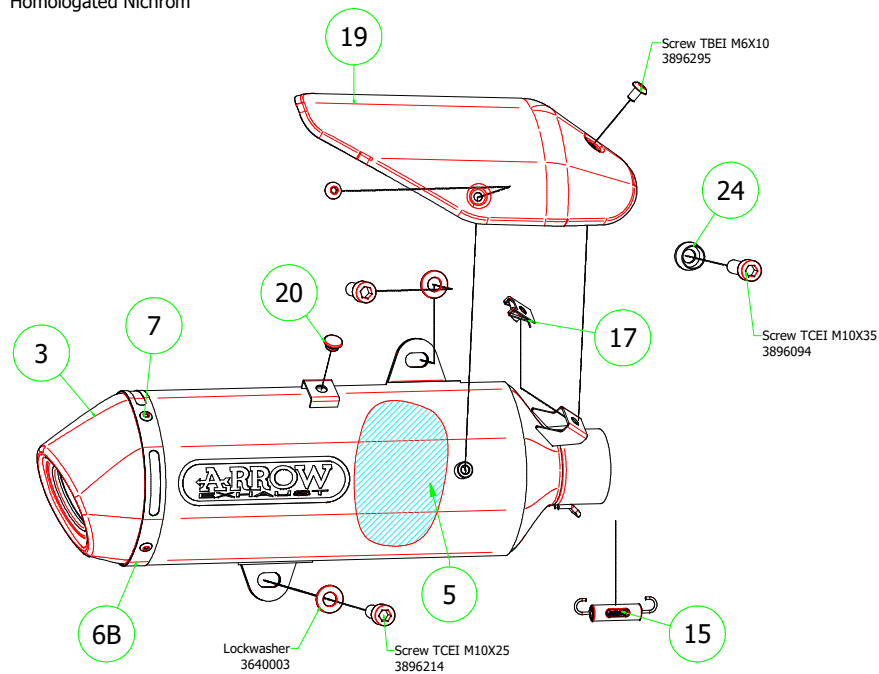
53521AN Homologated Alluminium - Inox  
 53521ANN Homologated Alluminium - Inox



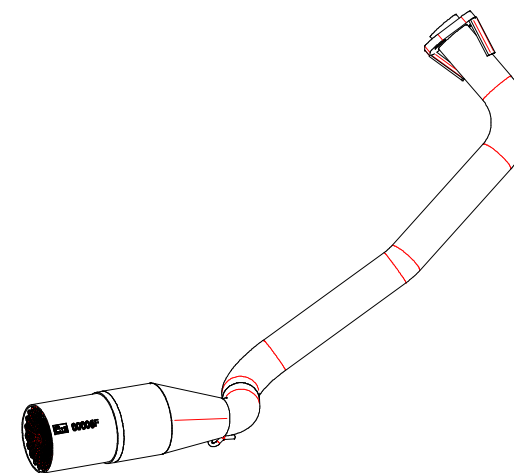
53068MI Racing Collector



53521XN Homologated Nichrom



53068KZ Catalytic Homologated Collector



## PARTI DI RICAMBIO / SPARE PARTS

ID	DESCRIZIONE / DESCRIPTION	53521AN cod	53521ANN cod	53521XN cod
1	Assieme anteriore / <i>Front assembly</i>	5035157	5035157	
2	Corpo Marmitta / <i>Silencer Sleeve</i>	5257470	5257471	
3	Assieme Posteriore / <i>Rear assembly</i>	5009957	5009957	5009957
5	Materiale fonoassorbente / <i>Sound-absorbant material</i>	5690155	5690155	5690155
6A	Fascetta di Serraggio Anteriore / <i>Front Strap For Rivets</i>	5495058	5495058	
6B	Fascetta di Serraggio Posteriore / <i>Rear Strap For Rivets</i>	5495440	5495440	5495441
7	Rivetto inox mm 4.8 / <i>Stainless Steel 4.8 mm Rivet</i>	3608011	3608011	3608011
8	Rivetto allum.mm.3.0 / <i>Aluminium 3.0 mm Rivet</i>	3608021	3608021	
9	Targhetta Arrow / <i>Arrow Plate</i>	5855109	5855109	
10	Silenziatore Interno / <i>Db Killer</i>	5930236	5930236	5930236
11	Seeger / <i>Retain Clip</i>	3640035	3640035	3640035
15	Molla / <i>Spring</i>	5281003	5281003	5281003
17	Inserto Rapid Nut / <i>Caged nut insert</i>			3245005
18	Fascetta Stringitubo / <i>Hose clip</i>			
19	Protezione / <i>Heat Shield</i>			5683141
20	Gommino / <i>Rubber</i>			3240057
24	Spessore / <i>Spacer</i>	5180297	5180297	5180297