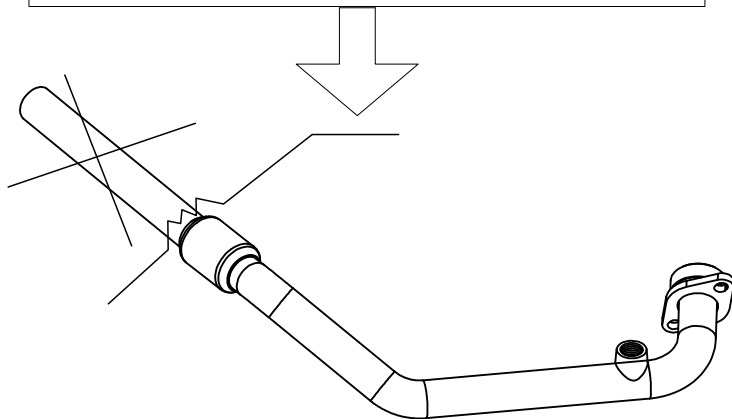


**WARNING!!**  
 IF YOUR MANIFOLD LOOKS LIKE THE ONE SHOWN IN THE PICTURE, TO INSTALL THE CATALYTIC CONVERTER YOU WILL HAVE TO CUT THE MANIFOLD WHERE INDICATED BY THE ARROW



Art.8613K

CATALYTIC CONVERTER "GranTurismo"