

HONDA SH MODE 125 2021

3400/A – 3403/LS – 3400/BE att. 3402/E



← 3400/A



3403/LS →



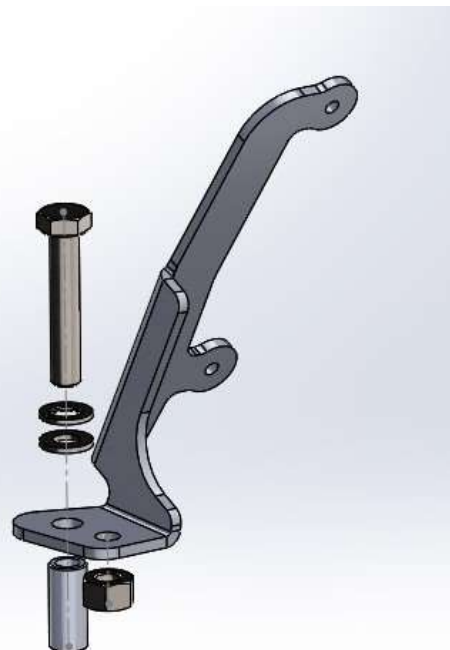
← 3400/BE

Gen-X® è un marchio registrato

## ASSEMBLY SEQUENCE

### LEFT SIDE

- 1) Remove the original mirror from the handlebar
- 2) Insert the bushing into the housing left free by the mirrors, then FIX the plate with flat washer, spring washer and M10 x60 screw, without tightening.
- 3) Repeat points 1 and 2 on the right side
- 4) Center the windshield and tighten all hardware.
- 5) Fix the mirrors without the original columns, using the left thread nuts supplied in the package



Bracket RH/LH	1+1
Flat washer	2
Grower	2
Bushing 14x55	2
Bolt M10x60	2
Nut Left thread	2