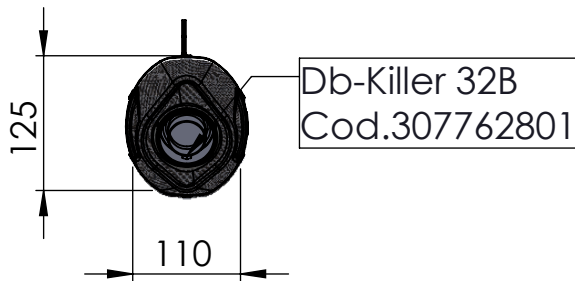
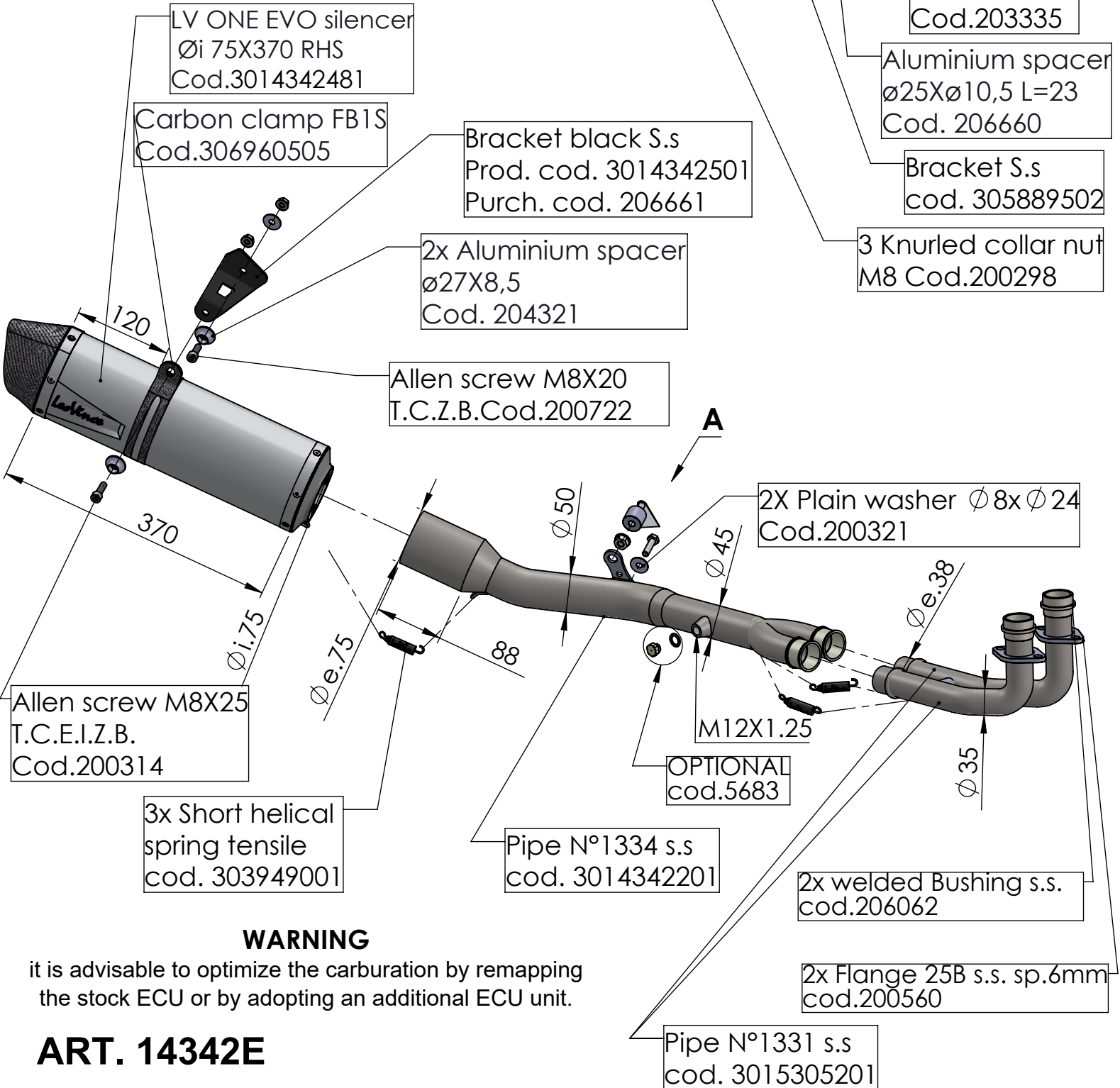
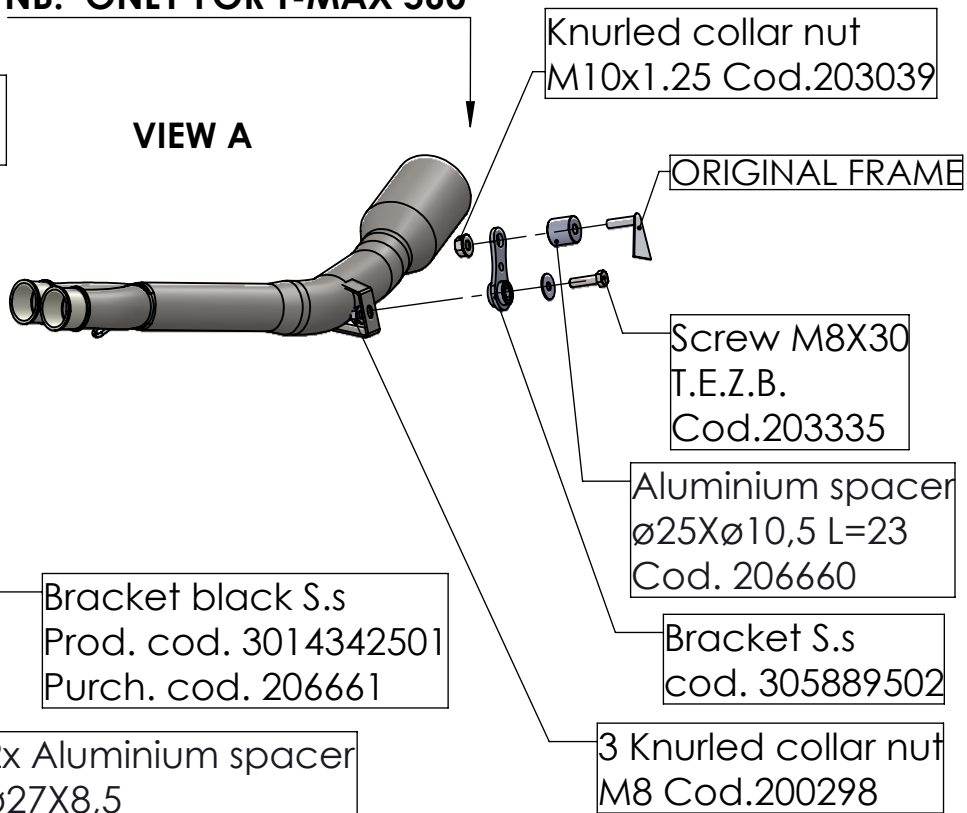


NB: ONLY FOR T-MAX 560



VIEW A



WARNING

it is advisable to optimize the carburation by remapping the stock ECU or by adopting an additional ECU unit.

ART. 14342E

YAMAHA T-MAX 560 / TECH MAX

FULL SYSTEM - LV ONE EVO - STAINLESS STEEL